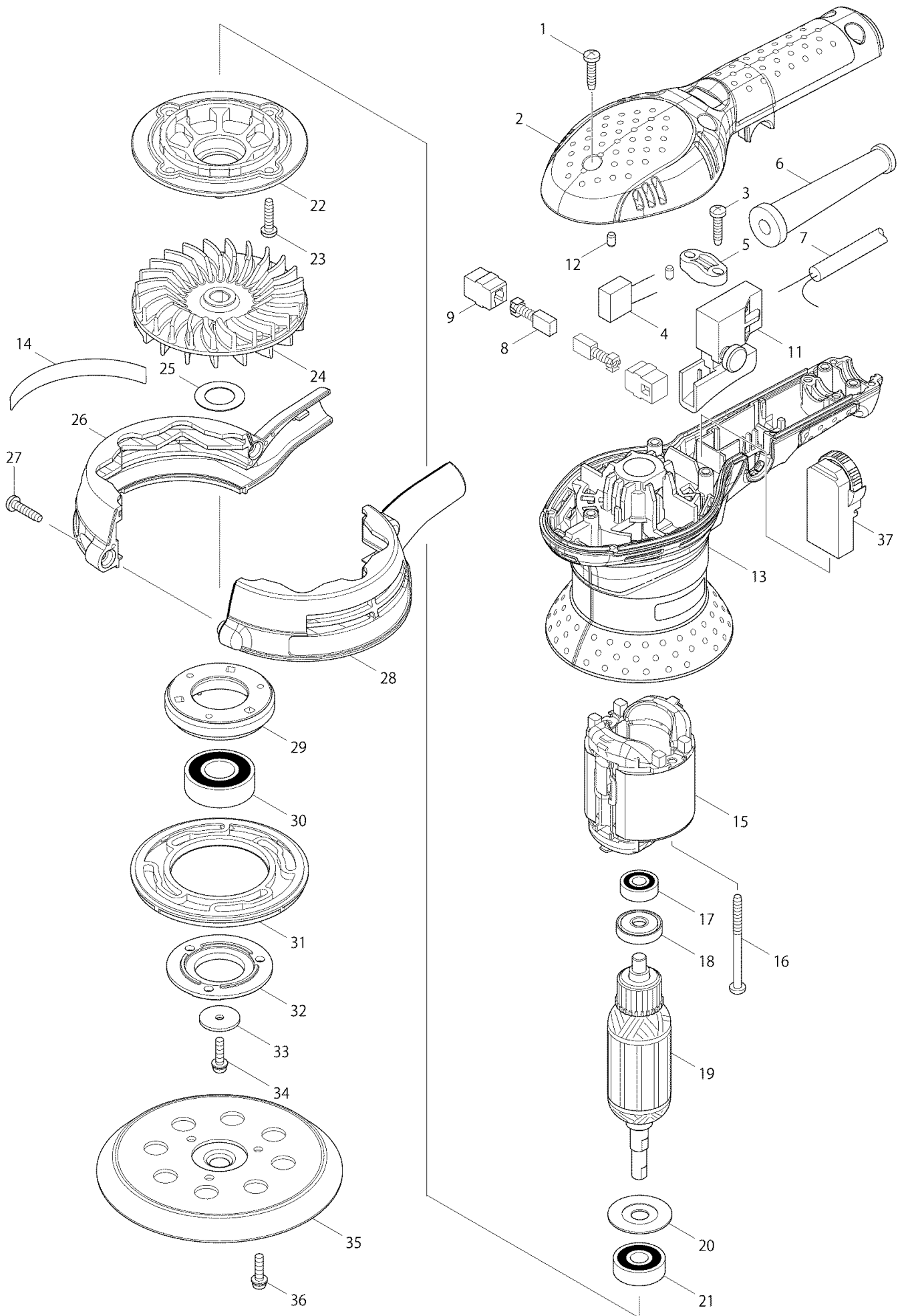


Nr.	Art nr.	Namn
1	265995-6	TAPPING SCREW 4X18
2	451619-2	TOP COVER
3	265995-6	TAPPING SCREW 4X18
4	645105-5	NOISE SUPPRESSOR
5	687052-4	STRAIN RELIEF
6	682502-4	CORD GUARD 8-85
7	665383-1	POWER SUPPLY CORD 1.0-2-2.0
8	191627-8	Hillet CB-64
9	643552-4	BRUSH HOLDER 5-8
11	651286-5	SWITCH SGEL206C-5
12	263002-9	RUBBER PIN 4
13	451617-6	MOTOR HOUSING
14	867887-1	BO5041 NAME PLATE
15	633724-9	FIELD 240V
16	266147-2	TAPPING SCREW 4X55
17	210017-7	BALL BEARING 607DDW
18	681652-2	INSULATION WASHER
19	515734-7	ARMATURE ASS'Y 240V
20	267806-1	WASHER 9
21	211092-6	BALL BEARING 629DDW
22	450672-5	BRACKET
23	265995-6	TAPPING SCREW 4X18
24	241673-2	FAN 88
25	267164-5	FLAT WASHER 15
26	188835-0	SKIRT SET
27	265995-6	TAPPING SCREW 4X18
28	188835-0	SKIRT SET
29	318304-9	BEARING BOX
30	211228-7	BALL BEARING 6202DDW
31	424131-5	BRAKE RING
32	318303-1	BEARING BOX COVER
33	253739-6	FLAT WASHER 4
34	911128-8	PAN HEAD SCREW M4X16
35	743081-8	Hiomalautanen
36	911128-8	PAN HEAD SCREW M4X16
37	631956-2	CONTROLLER



Nr.	Art nr.	Namn
1	265995-6	TAPPING SCREW 4X18
2	451619-2	TOP COVER
3	265995-6	TAPPING SCREW 4X18
4	645105-5	NOISE SUPPRESSOR
5	687052-4	STRAIN RELIEF
6	682502-4	CORD GUARD 8-85
7	665383-1	POWER SUPPLY CORD 1.0-2-2.0
8	191627-8	Hillet CB-64
9	643552-4	BRUSH HOLDER 5-8
11	651286-5	SWITCH SGEL206C-5
12	263002-9	RUBBER PIN 4
13	451617-6	MOTOR HOUSING
14	867887-1	BO5041 NAME PLATE
15	633724-9	FIELD 240V
16	266147-2	TAPPING SCREW 4X55
17	210017-7	BALL BEARING 607DDW
18	681652-2	INSULATION WASHER
19	515734-7	ARMATURE ASS'Y 240V
20	267806-1	WASHER 9
21	211092-6	BALL BEARING 629DDW
22	450672-5	BRACKET
23	265995-6	TAPPING SCREW 4X18
24	241673-2	FAN 88
25	267164-5	FLAT WASHER 15
26	188835-0	SKIRT SET
27	265995-6	TAPPING SCREW 4X18
28	188835-0	SKIRT SET
29	318304-9	BEARING BOX
30	211228-7	BALL BEARING 6202DDW
31	424131-5	BRAKE RING
32	318303-1	BEARING BOX COVER
33	253739-6	FLAT WASHER 4
34	911128-8	PAN HEAD SCREW M4X16
35	743081-8	Hiomalautanen
36	911128-8	PAN HEAD SCREW M4X16
37	631956-2	CONTROLLER